

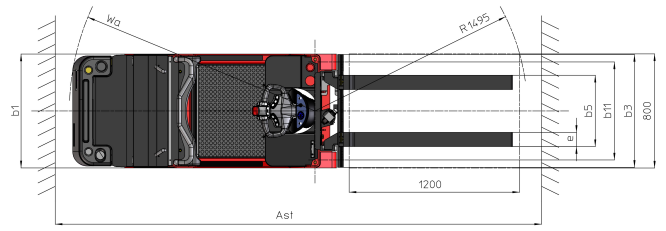
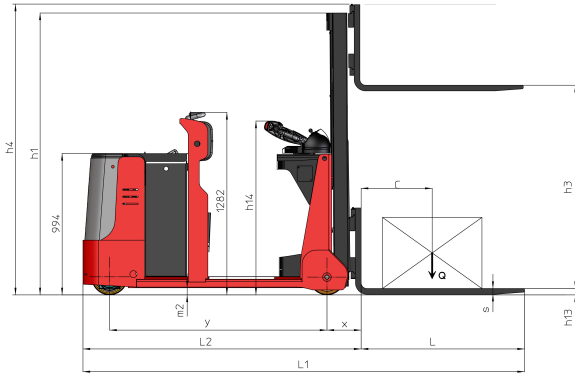
Technical sheet

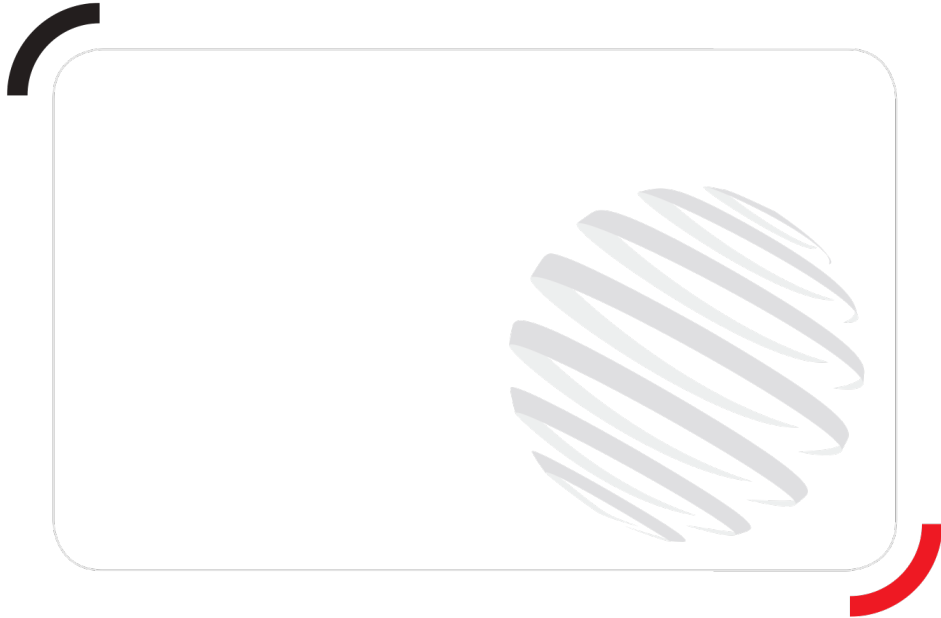
# **CI 12 PF**

Warehousing Equipment



	Technical characteristics	Metric
1.1	Manufacturer	Manitou
1.2	Model	CI 12 PF
1.3	Type of traction	Electric
1.4	Type of operation	Carried
1.5	Q - Rated capacity	1200 kg
1.6	c - Center of gravity of load	600 mm
1.9	y - Wheelbase	1530 mm
	<b>Weight</b>	
2.1	Weight of truck in working order	1780 kg
2.2	Laden weight on front/rear axle	472 kg / 2508 kg
2.3	Unladen weight on front/rear axle	650 kg / 1130 kg
	<b>Wheels</b>	
3.1	Tyre equipment: bandage (V), PPS (SE), inflatable tyre (L)	Polyurethane
3.2	Size of front wheels	2x250x75 mm
3.3	Size of rear wheels	1x254x100 mm
3.5	Number of front wheels (x)	2 / 1
	<b>Dimensions</b>	
4.19	l1 - Total length	3100 mm
4.20	l2 - Length to fork heel	1950 mm
4.21	b1 - Overall width - Single/twin wheels	800 mm / -
4.22	e / s / l - Fork dimensions	40x100x1150
4.24	b3 - Width of fork clamp	790 mm
4.34	Ast - Aisle width for 800 x 1200 pallet lengthwise	3440 mm
4.35	Wa - Turning radius	1740 mm
	<b>Performances</b>	
5.1	Speed of travel laden / unladen	9 km/h / 11 km/h
5.7	Maximum ramp laden / unladen	6 % / 10 %
	<b>Engine</b>	
6.4	Battery voltage/capacity	24 V / 620 Ah
7.2	Useful power	2 kW
	<b>Miscellaneous</b>	
8.4	Measured/guaranteed mean noise level at the ear of the operator	66 dB(A)





Siège Social  
430 rue de l'Aubinière - 44150 Ancenis Cedex - France  
Tel: +33(0)2 40 09 10 11 - Fax: +33 (0)2 40 09 10 97  
[www.manitou.com](http://www.manitou.com)



This brochure describes versions and configuration options for Manitou products which may be fitted with different equipment. The equipment described in this brochure may be standard, optional or not available depending on version. Manitou reserves the right to change the specifications shown and described at any time and without prior warning. The manufacturer is not liable for the specifications given. For more information, contact your Manitou dealer. Non-contractual document. Product descriptions may differ from actual products. List of specifications is not comprehensive. The logos and visual identity of the company are the property of Manitou and may not be used without authorisation. All rights reserved. The photos and diagrams contained in this brochure are provided for information only.

MANITOU BF SA - Limited company with board of directors - Share capital: 39,547,824 euros - 857 802 508 RCS Nantes